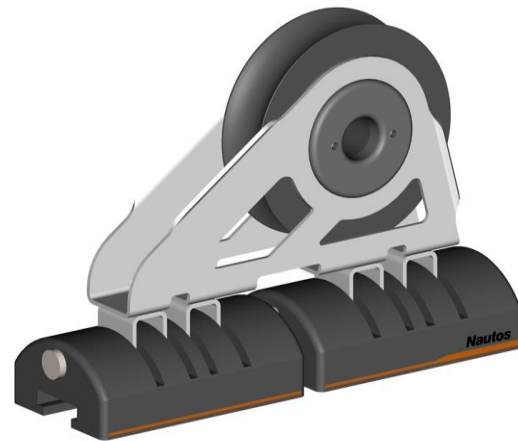


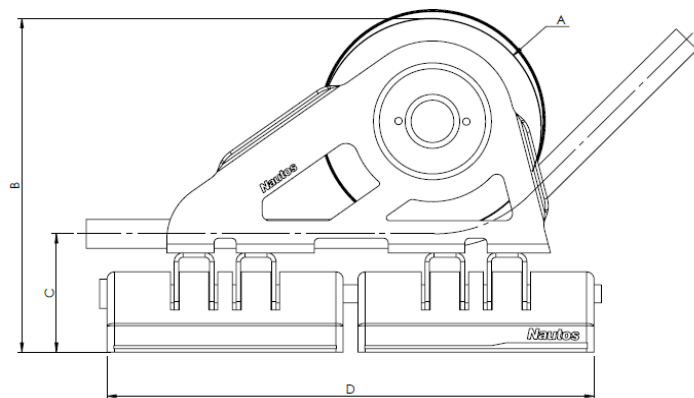
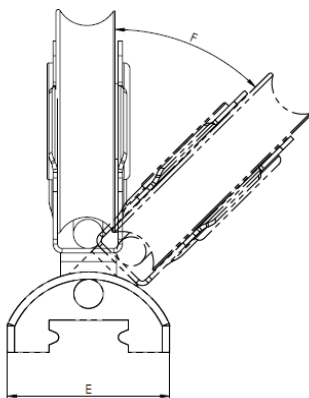
## SPECIFICATION

### GENOA CAR T-TRACK 40X8, SHEAVE Ø150

ATTRIBUTE	VALUE
CODE	91790
MATERIAL	ALUMINUM
SHEAVE MATERIAL	ALUMINUM
SURFACE TREATMENT	HARD ANODIZING
SIDE BEARING	DERLIN BALLS
RADIAL BEARING	TORLON ROLLERS
MAXIMUM WORKING LOAD	6800KG
MAX LINE Ø	20mm
WEIGHT	570gr
Ø SHEAVE (A)	150mm
B	228mm
C	81mm
D	340mm
E	110mm
F	45°



**WARRANTY: 5 YEARS**

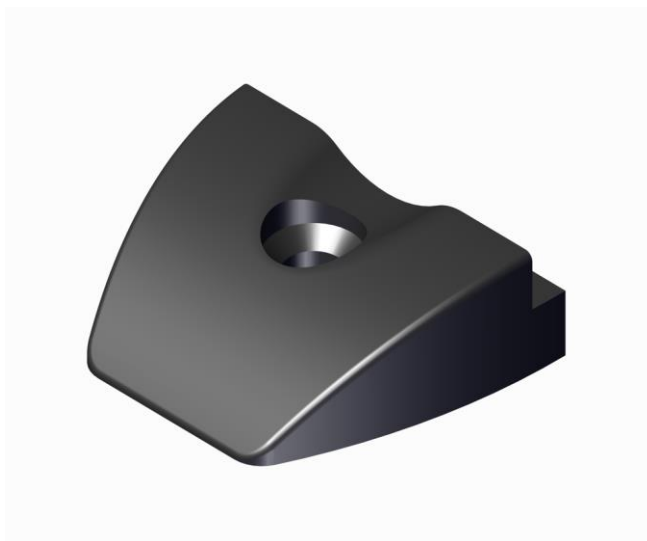


## SPECIFICATION

### END SLIDING T-TRACK 40mm

ATTRIBUTE	VALUE
CODE	91787
MATERIAL	PLASTIC
LENGTH	45mm
WIDTH	40mm
WEIGHT	32g

WARRANTY: 5 YEARS

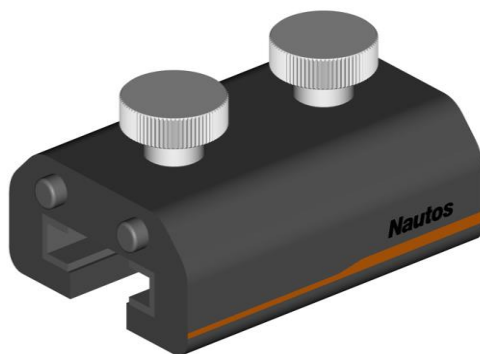


## SPECIFICATION

### STOP PIN WITH DOUBLE PIN

ATTRIBUTE	VALUE
CODE	91789
MATERIAL	ALUMINUM
SURFACE TREATMENT	HARD ANODIZING
LENGTH	95mm
WIDTH	70mm
TRACK DIMENSIONS	40 X 8mm

WARRANTY: 5 YEARS





## SPECIFICATION

### T-TRACK 40X8, 1,2m

ATTRIBUTE	VALUE
CODE	91788
MATERIAL	ALUMINUM
SURFACE TREATMENT	HARD ANODIZING
LENGTH	1200mm
WIDTH	40mm
WEIGHT	800g
FASTENERS	Ø8mm
FASTENERS SPACING	50mm

WARRANTY: 5 YEARS

