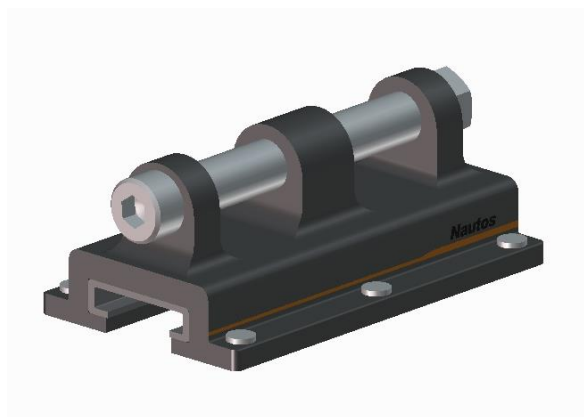


SPECIFICATION

SLIDING BATTEN CAR DUAL HANDLE 32mm

ATTRIBUTE	VALUE
CODE	95802
MATERIAL	ALUMINUM
SURFACE TREATMENT	HARD ANODIZING
LENGTH	115mm
WIDTH	70mm
WEIGHT	440g
MAXIMUM WORKING LOAD	2750kg
MAXIMUM SAIL AREA - MONOHULL	355m ²
MAXIMUM SAIL AREA - MULTIHULL	230m ²



WARRANTY: 5 YEARS

