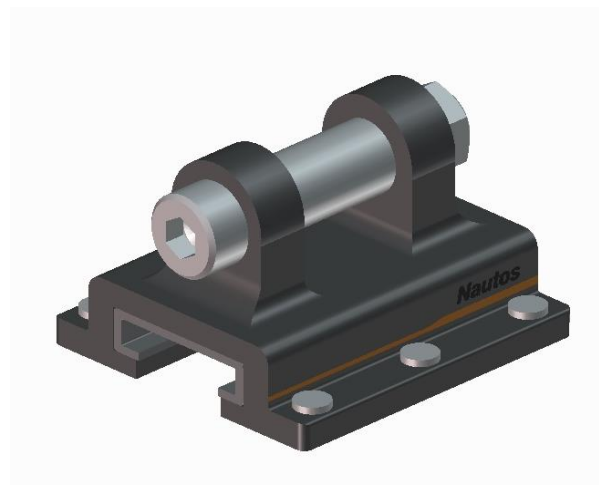


SPECIFICATION

SLIDING BATTEN CAR INTERMEDIATE 32mm

ATTRIBUTE	VALUE
CODE	95804
MATERIAL	ALUMINUM
SURFACE TREATMENT	HARD ANODIZING
LENGTH	75mm
WIDTH	70mm
WEIGHT	272g
MAXIMUM WORKING LOAD	1300kg
MAXIMUM SAIL AREA - MONOHULL	355m ²
MAXIMUM SAIL AREA - MULTIHULL	230m ²



WARRANTY: 5 YEARS

